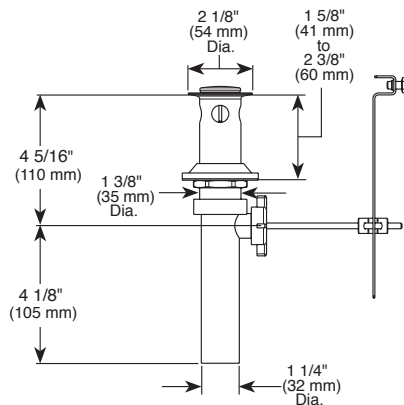


### LAVATORY FAUCET:

- Two Handle Widespread, Deck Mount
- 3 Hole Sink Applications
- 6" To 16" Widespread

### STANDARD SPECIFICATIONS:

- Maximum 1.0 gpm @ 60 psi, 3.8 L/min @ 414 kPa.
- Widespread - 6" (152mm) to 16" (406mm) centers.
- 1/4 turn handle stops
- 1/2"-14 NPSM adapters
- Ceramic cartridge
- Models have drain with pop-up type fitting with plated lange and stopper.



### WARRANTY:

- Lifetime limited warranty on parts (other than electronic parts and batteries) and finishes; or, for commercial users, for 5 years from the date of purchase.
- 5 year limited warranty on electronic parts (other than batteries); or for commercial users, for 1 year from the date of purchase. No warranty is provided on batteries.



### COMPLIES WITH:

- ASME A1 12.18.1 / CSA B125.1
- ASME A1 12.18.2 / CSA B125.2

Indicates compliance to ICC / ANSI A117.1

- EPA WaterSense®
- Verified compliant with 0.25% weighted average Pb content regulations